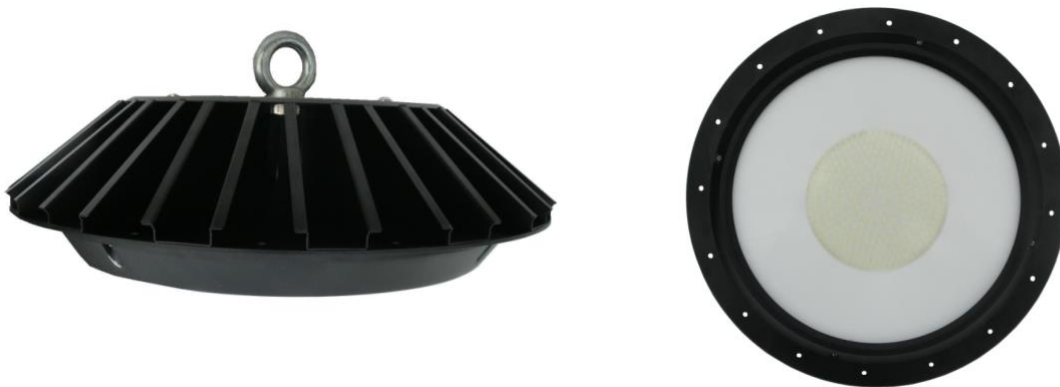


■ General Description

HV LED high bay light is a lighting application of Patch to encapsulate the LED light source 3030 chip, High pressure constant power driver on board, high purity aluminum reflector, high thermal conductivity aluminum lamp housing, high intensity tempered glass, high efficiency, constant current and constant voltage source research and development of high photosynthetic efficiency of green lighting products. And traditional floodlights contrast, this product has high efficiency, safety, energy saving, environmental protection, long life, fast response speed, high colour rendering index unique advantages. Can be widely used in factories, schools, gardens, and other indoor and outdoor lighting is the best choice, is an alternative to traditional high-energy lights the optimal solution.

■ Product Pictures reference only



■ Features

- By highlighting the patch package LED light source 3030, compared with the traditional equal brightness floodlight energy-saving more than 65%
- The radiator and lamp shell integration design, LED directly with shell closely connect with cooling, fully guarantee the LED life
- The lamp adopts aluminum alloy die-casting molding, can effective heat dissipation, Waterproof, dustproof, waterproof level through the IP65 standard
- No bad glare and stroboscopic, eliminating the common floodlights undesirable glare caused by the glare, visual fatigue and disturbance.
- Activated without delay, power that is the normal brightness, without having to wait for a long time, the elimination of the traditional lights start process.
- Green pollution-free, no lead, mercury or other elements of environmental pollution, no pollution to the environment.
- Selection of wide input voltage (AC200-265V), high efficiency, High pressure constant power driver chip, Stability and longer service life.

■ Applications

- Factory, stadium, docks, airports, shopping malls and other
- Billboards, buildings, lawn, garden design
- Cabinets, museum, gallery, art gallery

■ Technical Parameters

- Power parameters

Frequency Range	47-63Hz
Input power	200W±5%
Input Voltage	200-265VAC
Input Current	0.86A/230VAC
Power Efficiency	≥90% 230VAC at full load
Power Factor	PF≥0.95/240VAC

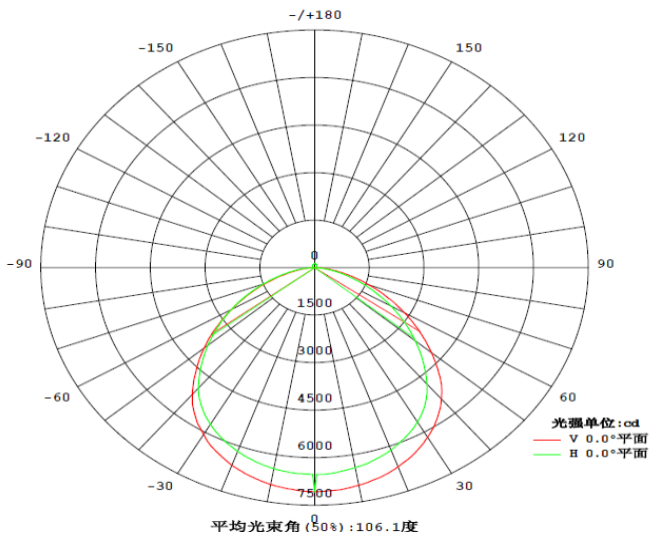
- Lighting parameters

Product model	200W
LED Quantity	344 PCS 3030
LED Working Voltage	DC6.0V
LED Consumption	1W
System Consumption	200W±5%
LED Luminous Efficiency	>125Lm /W
LED Initial Flux	>25000Lm
Junction Temperature	≤80°C
Colour Temperature	2700~7000K Typ:5000K
lamp's Luminous Efficiency	≥100Lm /W
Illumination Uniformity	>0.6
Lumen Maintenance	70% (50000Hrs)
Colour Rendering Index	≥80
Light Distribution	Please refer to the attachment test report
Light Design	LED+ reflectors with twice light distribution
LED Working Temperature	-30°C ~ +55°C
Storage Temperature	-25°C ~ +65°C
IP Rating	IP65
Life span	≥50000Hrs

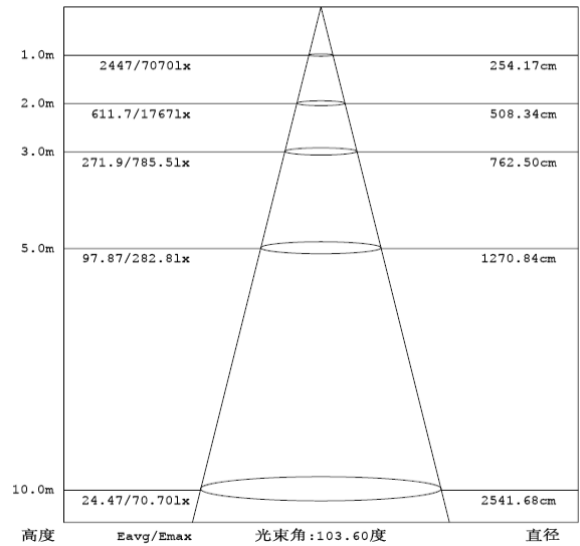
Appliance Class	Class I
Lamp Material	Aluminum alloy
The colour of the lamp shell	Black
Mounting	Wall mounted

Note: Different colour LED light performance somewhat deviation, deviation ≤ 5%

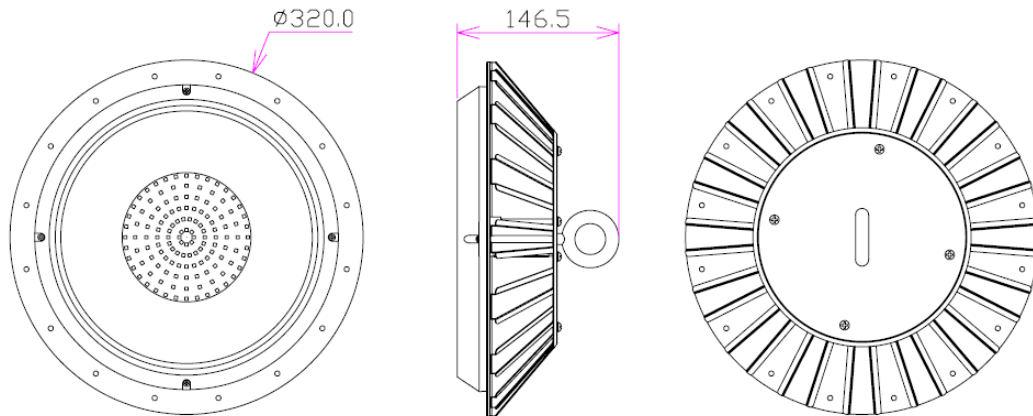
● Light distribution curve



● Effective AAI Figure



■ Dimension



■ Packing /weight

Lamp package size	36 × 36 × 17.5 (CM)
Qty/carton	1 pcs
The net weight of single lamp	2 kg
The cross weight of single lamp	2.7kg

■ Note



- If the lamp outer cable or cord is damaged, must be performed by qualified professionals for replacement, in order to avoid danger
- If it is found that the abnormal lamps work, must first cut off the power input
- Please input end of the power supply to the corresponding protection measures, and guarantee the input voltage stability
- Please mount the lamp in a dry, ventilation, clean environment, and regular cleaning and maintenance
- Lamps have high voltage parts inside, do not disassemble, so as to avoid the electric shock